



EC轴流风机 $\phi 630$

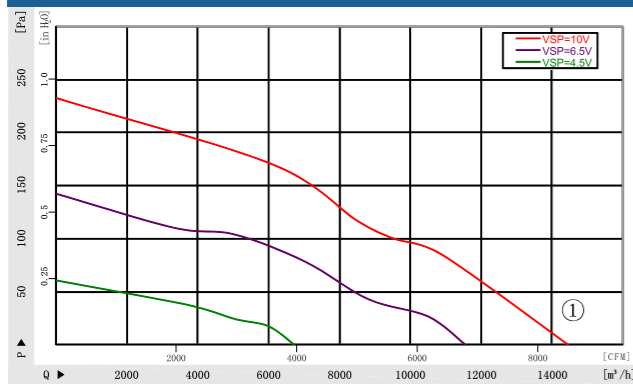
EC Axial Fans

| | |
|-------------|--------------------------|
| 材 质: 薄钢板 | Material: Sheet steel |
| 防护等级: IP44 | Type of protection: IP44 |
| 认 证: CCC CE | Approvals: CCC CE |
| 绝缘等级: F级 | Insulation class: F |

技术参数 Specifications

| 型号 Type | 曲线 Curve | 额定电压 Nominal voltage | 频率 Frequency | 转速 Speed | 输入功率 Power input | 电流 Current draw | 噪音 Sound pressure level | 使用温度 Perm. amb. temp. |
|------------------|-------------|-------------------------|-----------------|---------------|---------------------|--------------------|----------------------------|--------------------------|
| A3P630-EC137-*** | ① | [VAC] 3~380 | [Hz] 50/60 | [rpm] 1150 | [W] 800 | [A] 1.3 | [dB] 69 | [°C] -25~+60 |

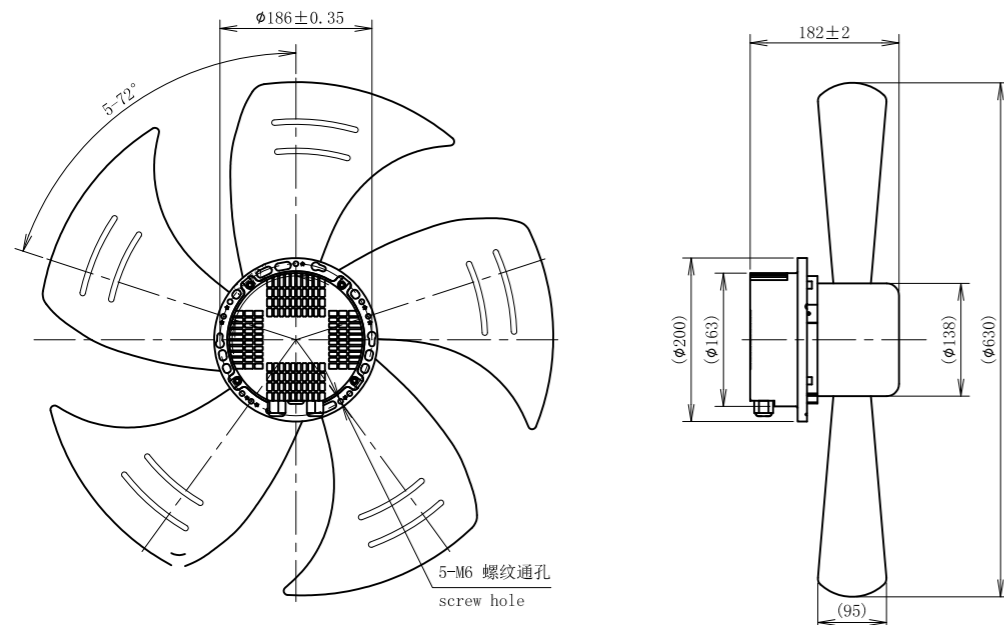
曲线 Curves



| 信号名 SIGNAL | 颜色 COLOR | 规格 SPEC | 信号名 SIGNAL | 颜色 COLOR | 规格 SPEC |
|---------------|---------------------|-------------------|---------------|-------------|-------------|
| L1 | 黑 BLACK | AC380V 50/60Hz | Vcc | 红 RED | DC10V输出 |
| L2 | 黑 BLACK | AC380V 50/60Hz | Vsp | 黄 YELLOW | 0-10VDC/PWM |
| L3 | 黑 BLACK | AC380V 50/60Hz | GND | 蓝 BLUE | GND |
| PE | 黄/绿 YELLOW/GREEN | 接地 EARTH | FG | 白 WHITE | 12 Pulse/R |

外形尺寸 Dimensions

| | |
|------------|-----------------------------|
| 型号 Type | A3P630-EC137-004 吸风 Suction |
| | A3P630-EC137-005 吹风 Blowing |

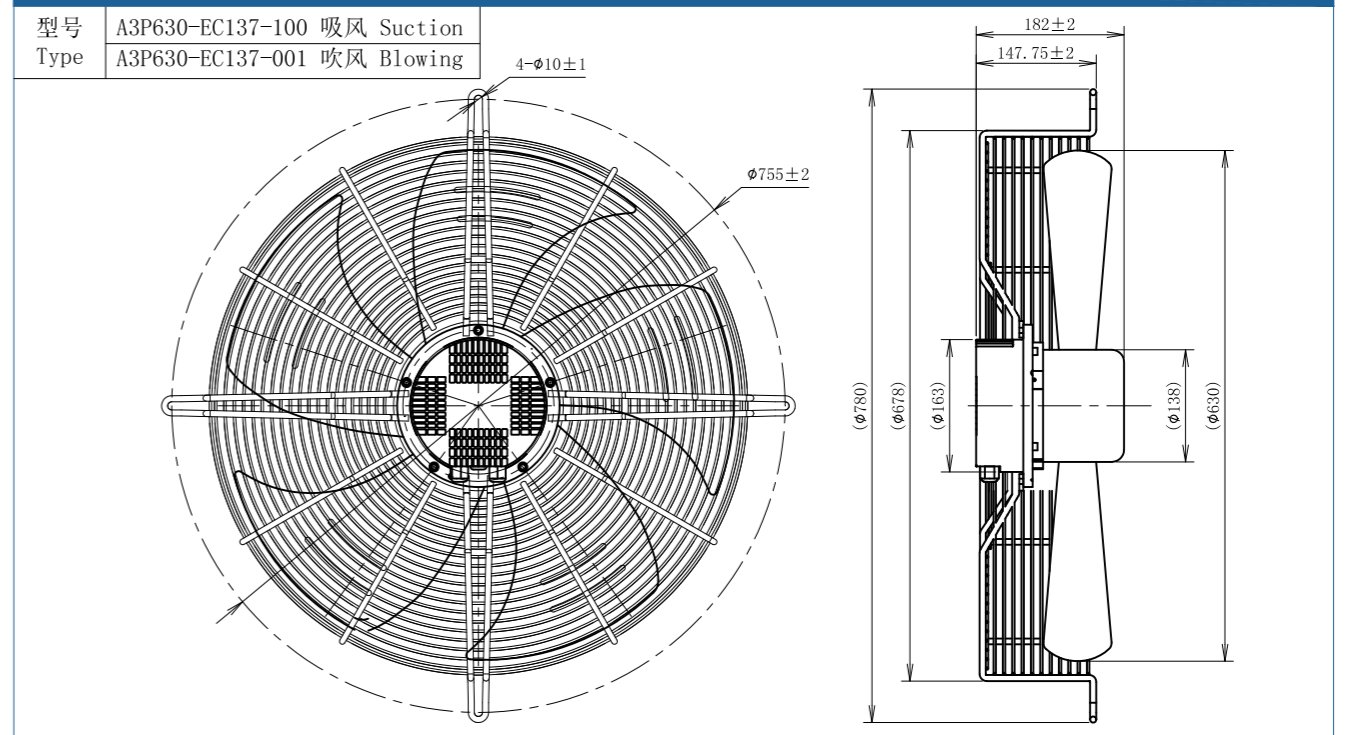


EC轴流风机 $\phi 630$

EC Axial Fans

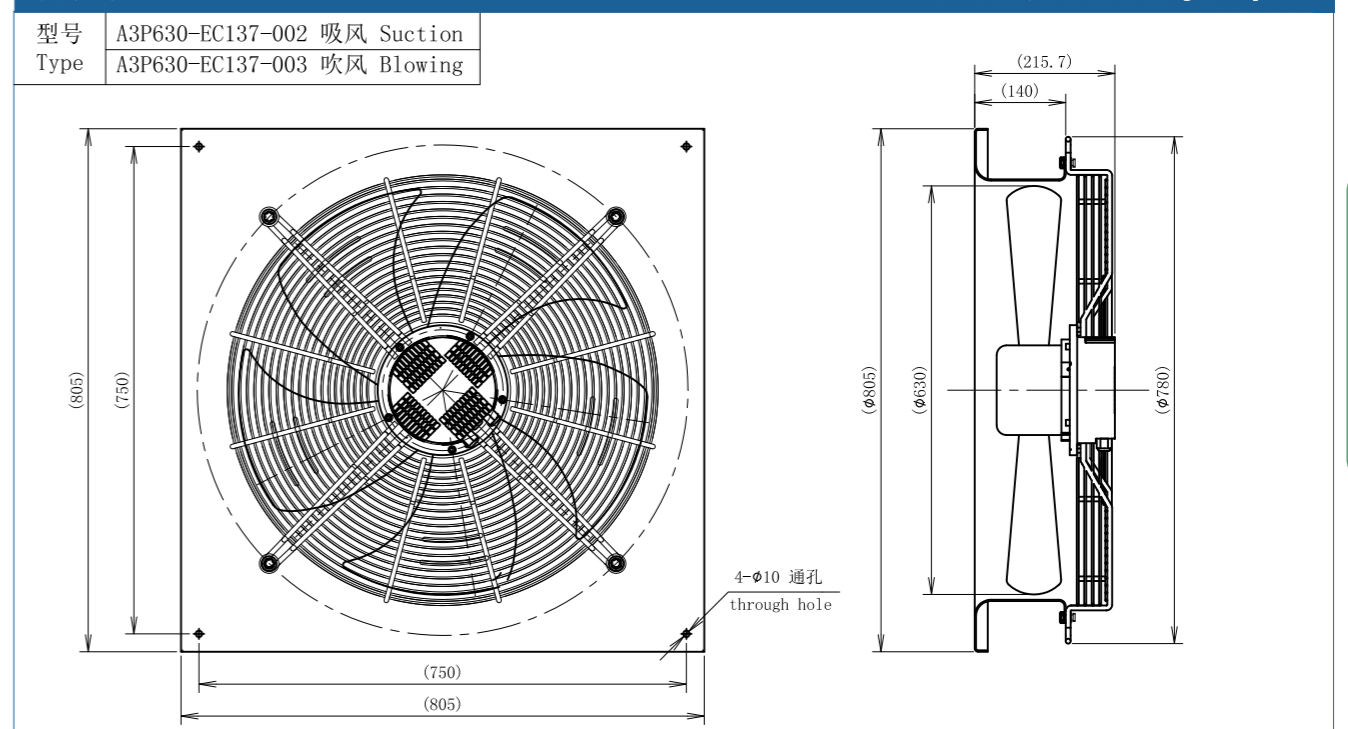
外形尺寸 Dimensions

带墙形凹网罩 With wall concave net cover grill



外形尺寸 Dimensions

带导风面板 With wind guide panel





DC轴流风机 $\phi 200$

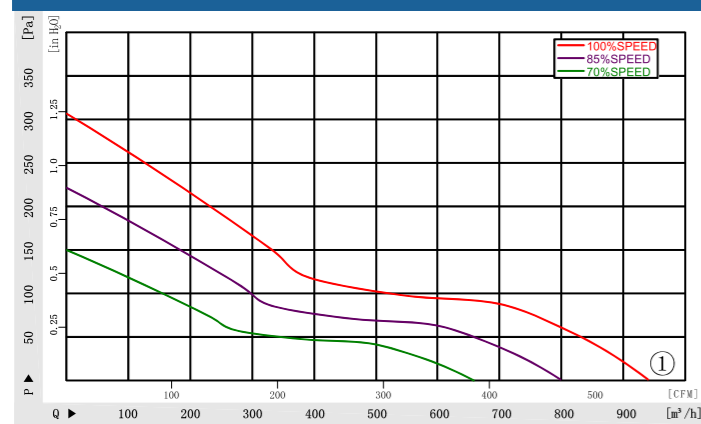
DC Axial Fans

| | |
|-------------|--------------------------|
| 材 质: 薄钢板 | Material: Sheet steel |
| 防护等级: IP42 | Type of protection: IP42 |
| 认 证: CCC CE | Approvals: CCC CE |
| 绝缘等级: B级 | Insulation class: B |

技术参数 Specifications

| 型号 Type | 曲线 Curve | 额定电压 Nominal voltage | 转速 Speed | 输入功率 Power input | 电流 Current draw | 噪音 Sound pressure level | 使用温度 Perm. amb. temp. |
|------------------|-------------|-------------------------|-------------|---------------------|--------------------|----------------------------|--------------------------|
| A3P200-DC092-*** | ① | [DC] 310 | [rpm] 3000 | [W] 55 | [A] 0.17 | [dB] 60 | [°C] -25~+60 |

曲线 Curves

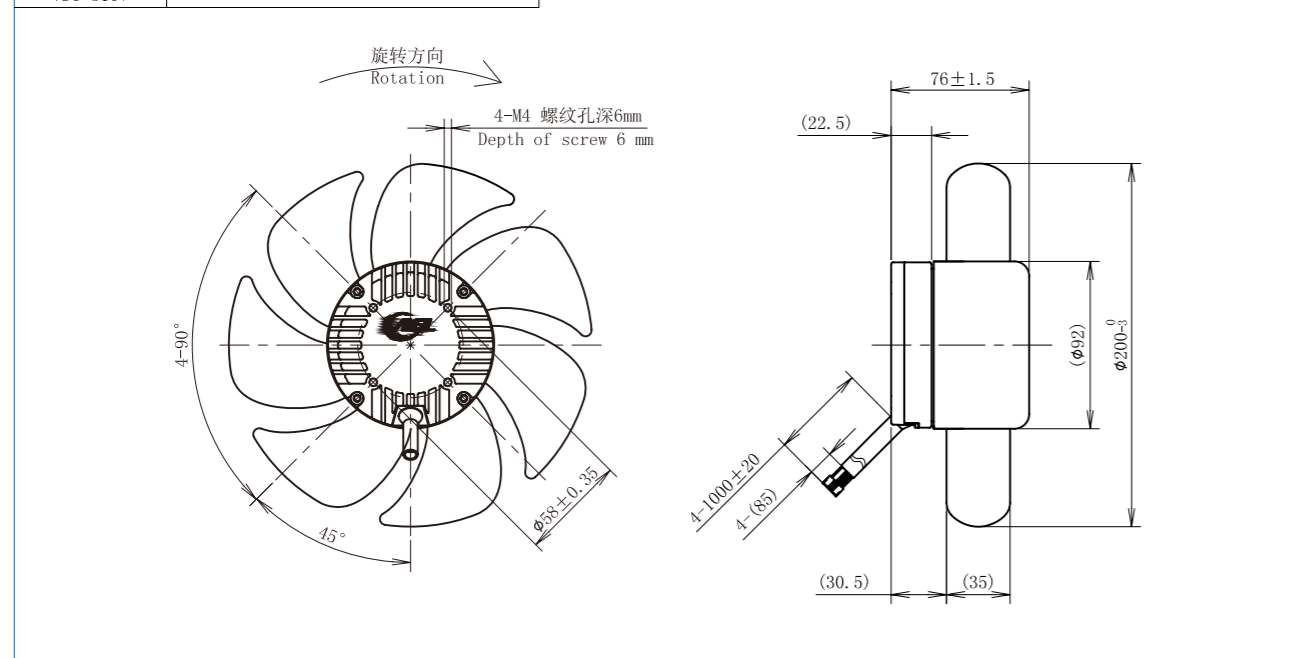


| 信号名 SIGNAL | 颜色 COLOR | 规格 SPEC |
|---------------|-------------|-------------|
| Vs | 红 RED | DC310V |
| GND | 黑 BLACK | GND |
| Vcc | 白 WHITE | DC15V |
| Vsp | 黄 YELLOW | 0-10VDC/PWM |
| TACH | 蓝 BLUE | 12 Pulse/R |

外形尺寸 Dimensions

无网罩 Without grill

| | |
|-------------------------------------|--|
| 额定电压 Nominal voltage VDC 310V | A3P200-DC092-022 吸风 Suction A3P200-DC092-023 吹风 Blowing |
|-------------------------------------|--|



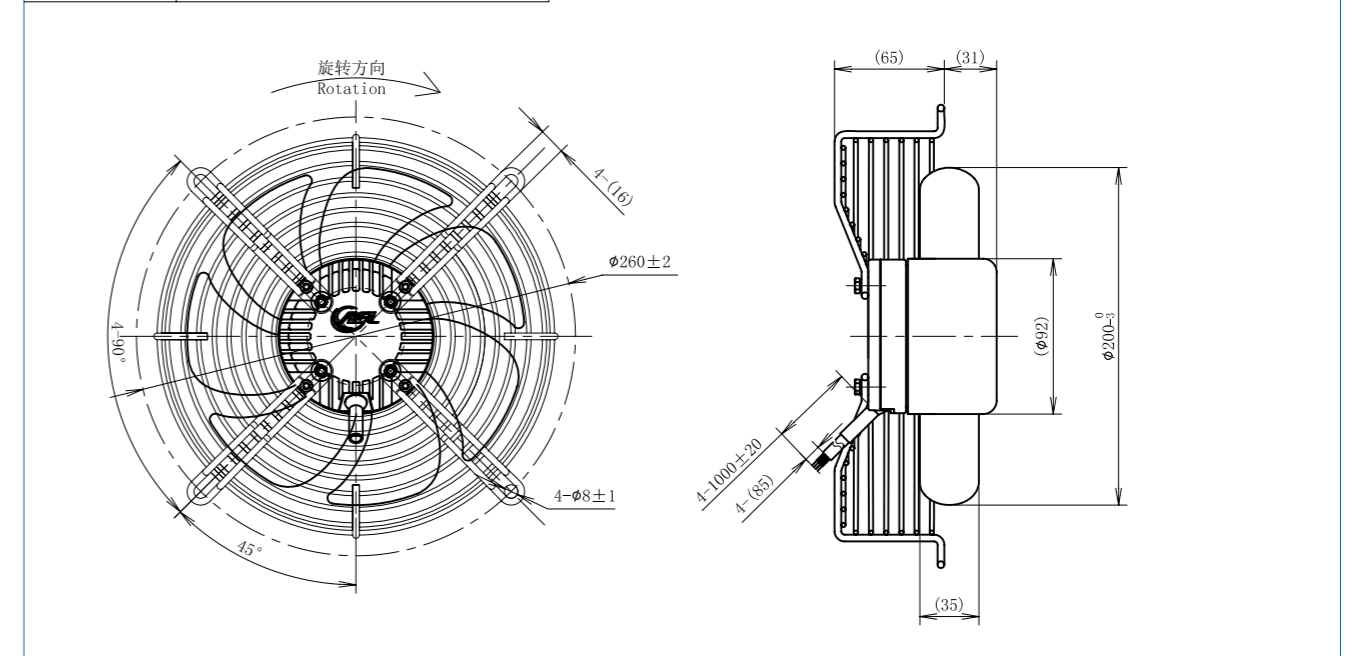
DC轴流风机 $\phi 200$

DC Axial Fans

外形尺寸 Dimensions

带墙形凹网罩 With wall concave net cover grill

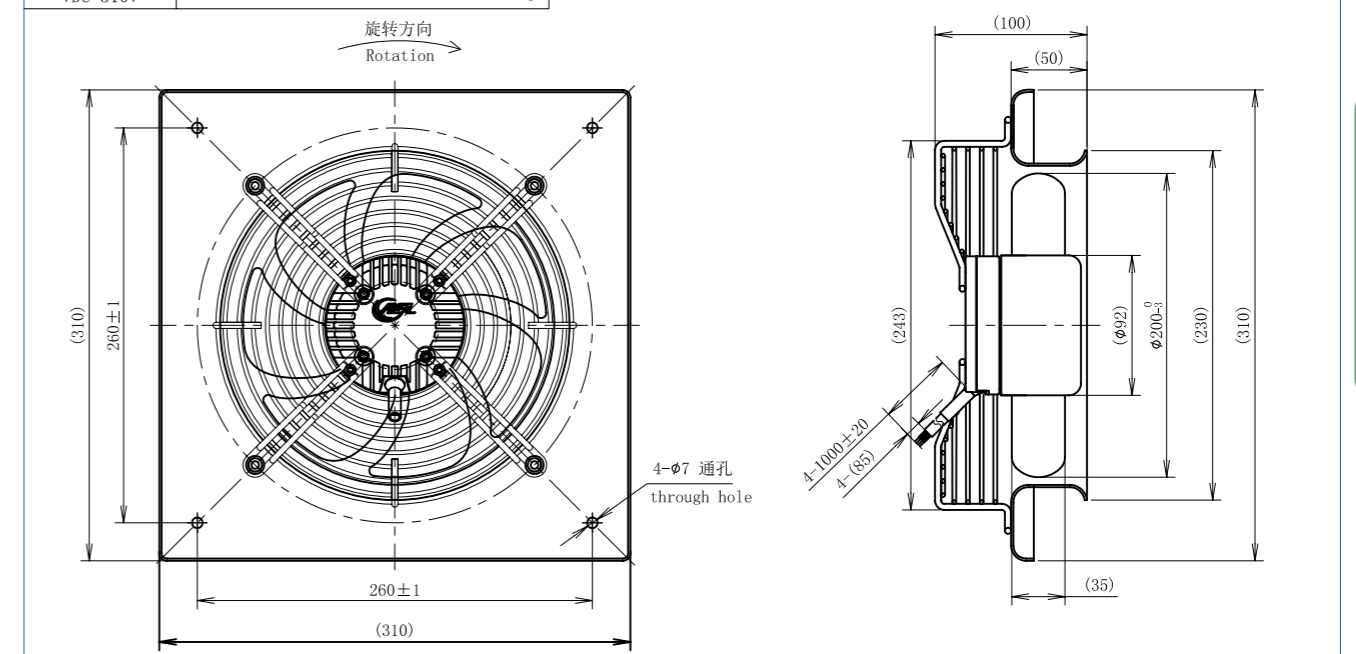
| | |
|-------------------------------------|--|
| 额定电压 Nominal voltage VDC 310V | A3P200-DC092-012 吸风 Suction A3P200-DC092-013 吹风 Blowing |
|-------------------------------------|--|



外形尺寸 Dimensions

带导风面板 With wind guide panel

| | |
|-------------------------------------|--|
| 额定电压 Nominal voltage VDC 310V | A3P200-DC092-014 吸风 Suction A3P200-DC092-015 吹风 Blowing |
|-------------------------------------|--|





DC轴流风机 $\phi 250$

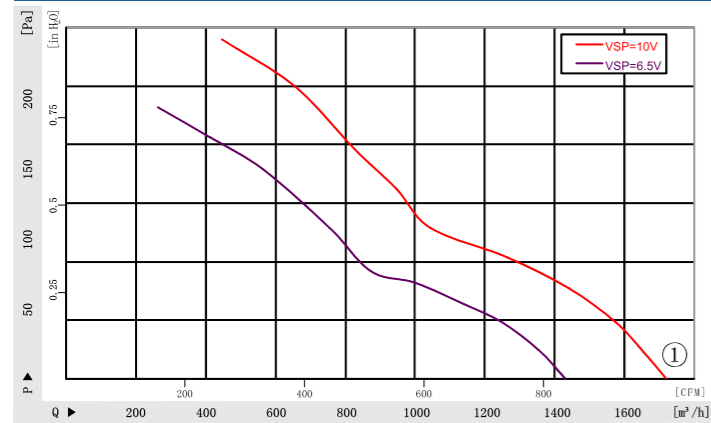
DC Axial Fans

| | |
|-------------|--------------------------|
| 材 质: 薄钢板 | Material: Sheet steel |
| 防护等级: IP42 | Type of protection: IP42 |
| 认 证: CCC CE | Approvals: CCC CE |
| 绝缘等级: B级 | Insulation class: B |

技术参数 Specifications

| 型号 Type | 曲线 Curve | 额定电压 Nominal voltage | 转速 Speed | 输入功率 Power input | 电流 Current draw | 噪音 Sound pressure level | 使用温度 Perm. amb. temp. |
|------------------|-------------|----------------------------|-------------|---------------------|-----------------------|-------------------------------|-----------------------------|
| | | [DC] | [rpm] | [W] | [A] | [dB] | [°C] |
| A3P250-DC092-*** | ① | 310 | 3150 | 135 | 0.44 | 69 | -25~+60 |

曲线 Curves

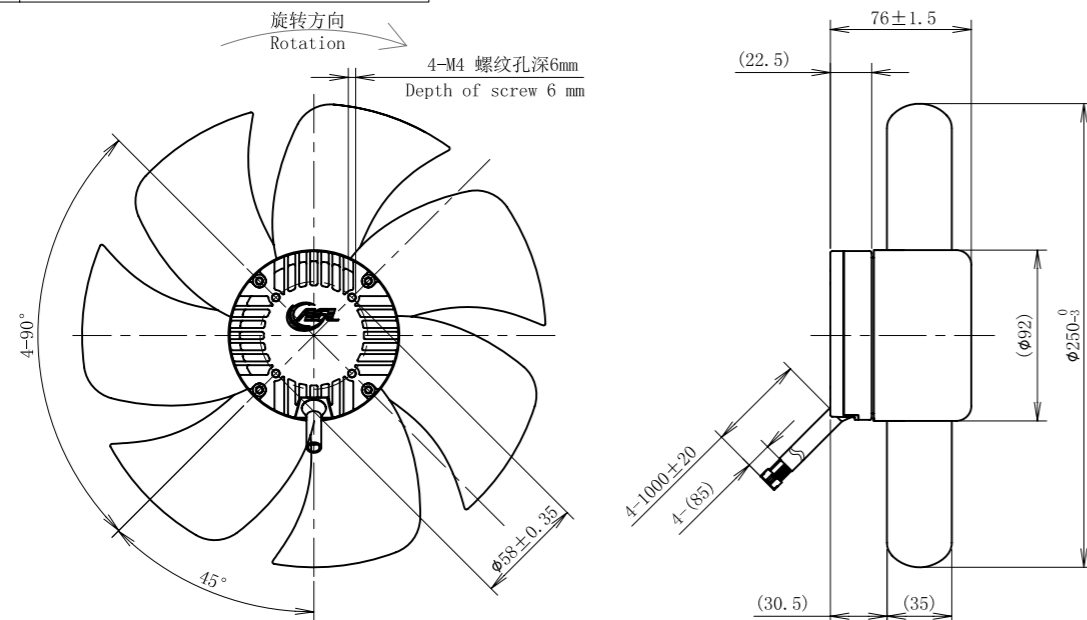


| 信号名 SIGNAL | 颜色 COLOR | 规格 SPEC |
|---------------|-------------|-------------|
| Vs | 红 RED | DC310V |
| GND | 黑 BLACK | GND |
| Vcc | 白 WHITE | DC15V |
| Vsp | 黄 YELLOW | 0-10VDC/PWM |
| TACH | 蓝 BLUE | 12 Pulse/R |

外形尺寸 Dimensions

无网罩 Without grill

| | |
|-------------------------------------|--|
| 额定电压 Nominal voltage VDC 310V | A3P250-DC092-303 吸风 Suction A3P250-DC092-302 吹风 Blowing |
|-------------------------------------|--|



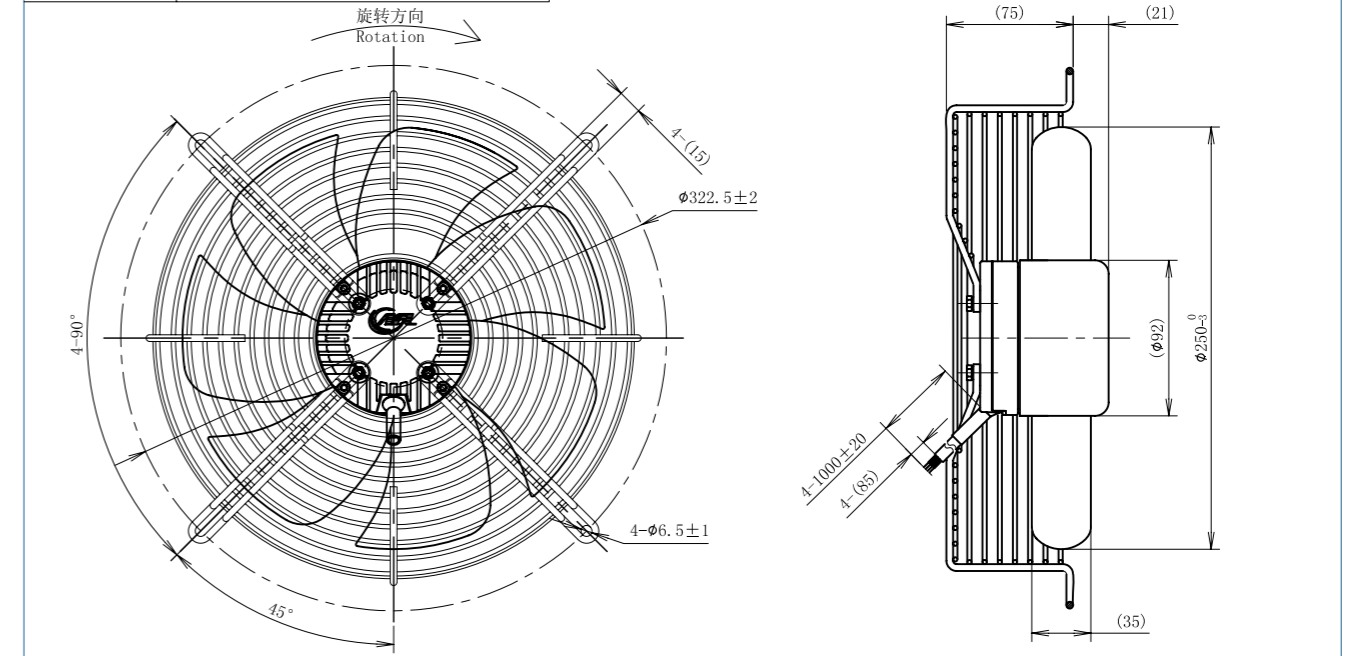
DC轴流风机 $\phi 250$

DC Axial Fans

外形尺寸 Dimensions

带墙形凹网罩 With wall concave net cover grill

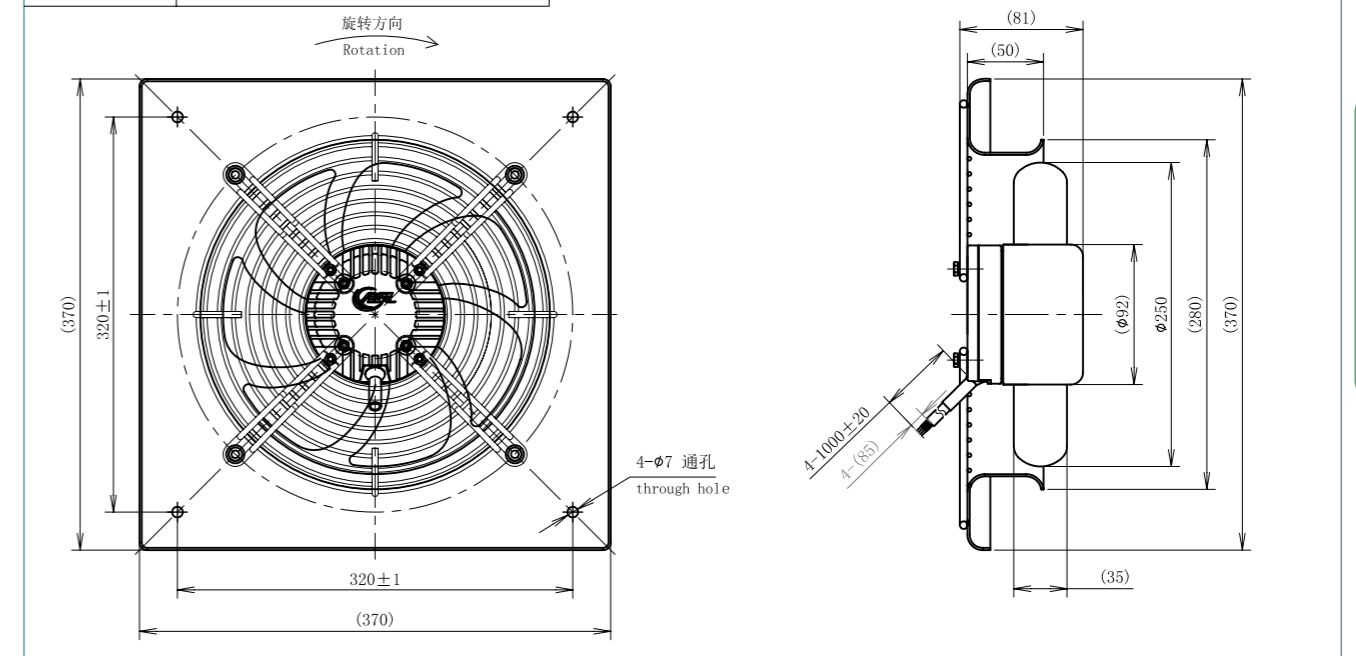
| | |
|-------------------------------------|--|
| 额定电压 Nominal voltage VDC 310V | A3P250-DC092-305 吸风 Suction A3P250-DC092-304 吹风 Blowing |
|-------------------------------------|--|



外形尺寸 Dimensions

带导风面板 With wind guide panel

| | |
|-------------------------------------|--|
| 额定电压 Nominal voltage VDC 310V | A3P250-DC092-307 吸风 Suction A3P250-DC092-306 吹风 Blowing |
|-------------------------------------|--|





DC轴流风机 $\phi 300$

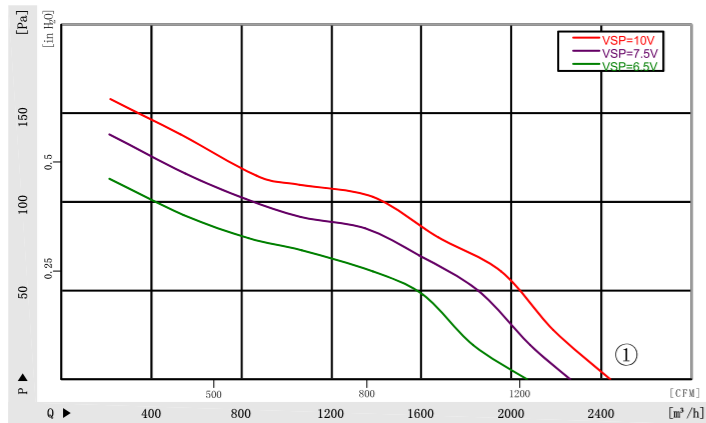
DC Axial Fans

| | |
|-------------|--------------------------|
| 材 质: PA66 | Material: PA66 |
| 防护等级: IP42 | Type of protection: IP42 |
| 认 证: CCC CE | Approvals: CCC CE |
| 绝缘等级: B级 | Insulation class: B |

技术参数 Specifications

| 型号 Type | 曲线 Curve | 额定电压 Nominal voltage | 转速 Speed | 输入功率 Power input | 电流 Current draw | 噪音 Sound pressure level | 使用温度 Perm. amb. temp. |
|------------------|-------------|----------------------------|-------------|---------------------|-----------------------|-------------------------------|-----------------------------|
| | | [DC] | [rpm] | [W] | [A] | [dB] | [°C] |
| A3P300-DC092-*** | ① | 310 | 2100 | 165 | 0.52 | 64 | -25~+60 |

曲线 Curves

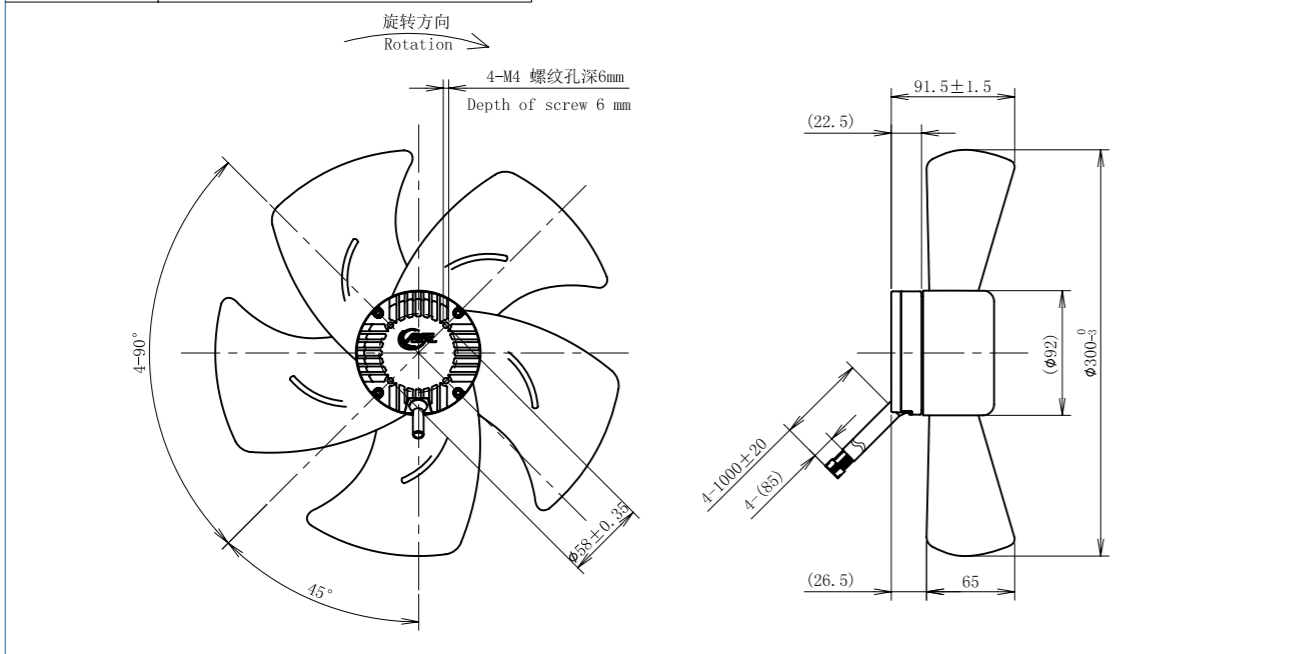


| 信号名 SIGNAL | 颜色 COLOR | 规格 SPEC |
|---------------|-------------|-------------|
| Vs | 红 RED | DC310V |
| GND | 黑 BLACK | GND |
| Vcc | 白 WHITE | DC15V |
| Vsp | 黄 YELLOW | 0-10VDC/PWM |
| TACH | 蓝 BLUE | 12 Pulse/R |

外形尺寸 Dimensions

无网罩 Without grill

| | |
|-------------------------------------|--|
| 额定电压 Nominal voltage VDC 310V | A3P300-DC092-303 吸风 Suction A3P300-DC092-302 吹风 Blowing |
|-------------------------------------|--|



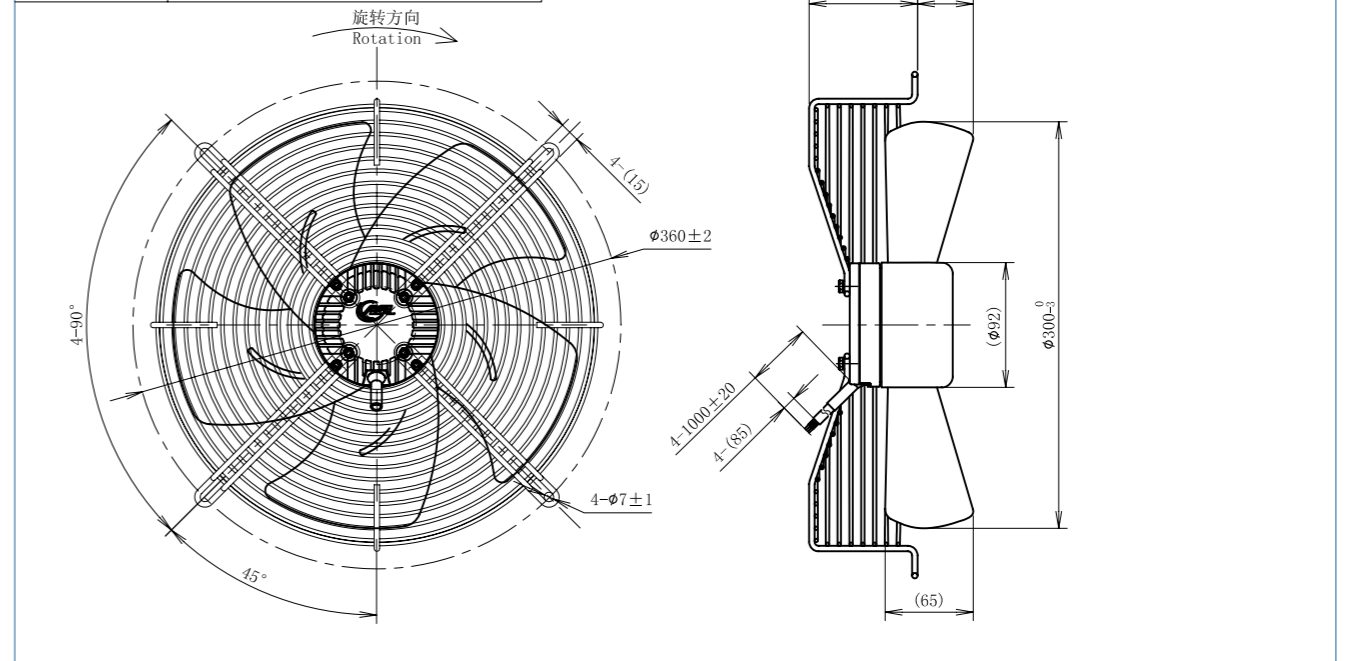
DC轴流风机 $\phi 300$

DC Axial Fans

外形尺寸 Dimensions

带墙凹网罩 With wall concave net cover grill

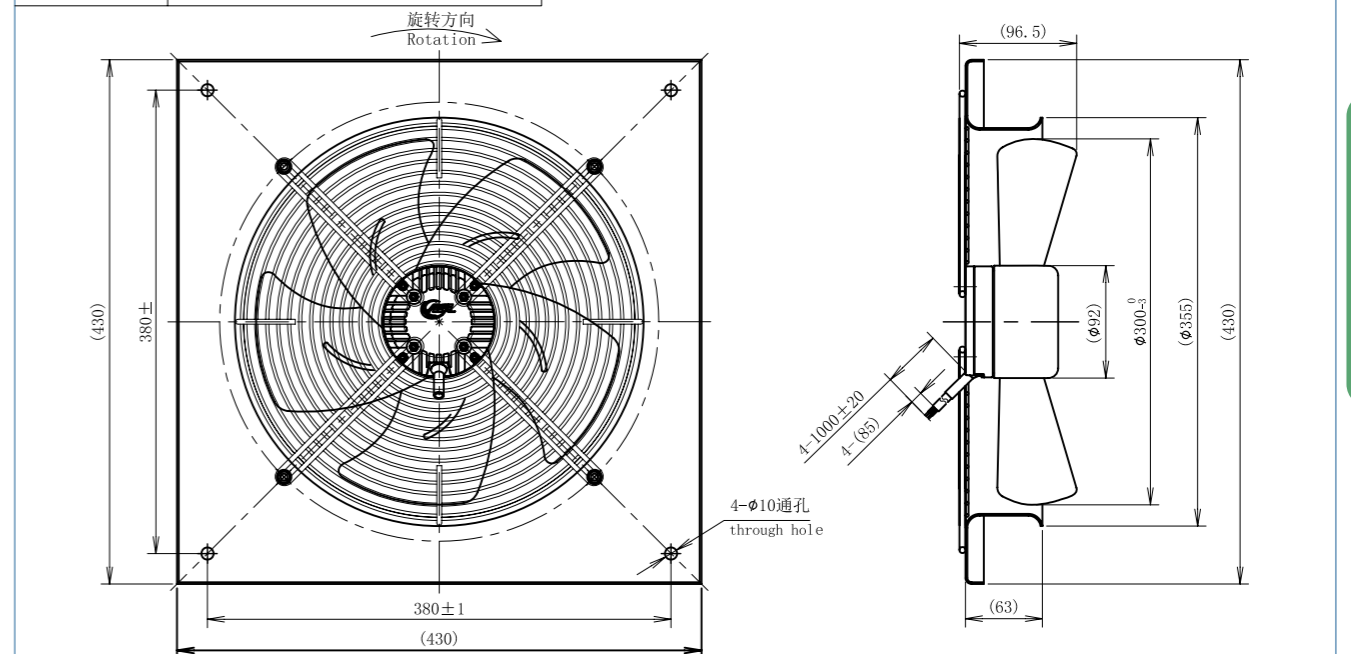
| | |
|-------------------------------------|--|
| 额定电压 Nominal voltage VDC 310V | A3P300-DC092-305 吸风 Suction A3P300-DC092-304 吹风 Blowing |
|-------------------------------------|--|



外形尺寸 Dimensions

带导风面板 With wind guide panel

| | |
|-------------------------------------|--|
| 额定电压 Nominal voltage VDC 310V | A3P300-DC092-307 吸风 Suction A3P300-DC092-306 吹风 Blowing |
|-------------------------------------|--|





DC轴流风机 $\phi 200$

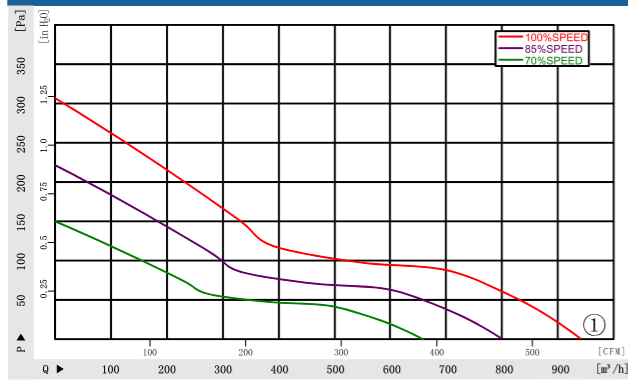
DC Axial Fans

| | |
|-------------|--------------------------|
| 材 质: 薄钢板 | Material: Sheet steel |
| 防护等级: IP42 | Type of protection: IP42 |
| 认 证: CCC CE | Approvals: CCC CE |
| 绝缘等级: B级 | Insulation class: B |

技术参数 Specifications

| 型号 Type | 曲线 Curve | 额定电压 Nominal voltage | 转速 Speed | 输入功率 Power input | 电流 Current draw | 噪音 Sound pressure level | 使用温度 Perm. amb. temp. |
|------------------|-------------|-------------------------|-------------|---------------------|--------------------|----------------------------|--------------------------|
| | | [VDC] | [rpm] | [W] | [A] | [dB] | [°C] |
| A3P200-DC092-*** | ① | 24 | 3000 | 55 | 2.3 | 60 | -25~+60 |
| | | 48 | 3000 | 55 | 1.15 | 60 | -25~+60 |

曲线 Curves

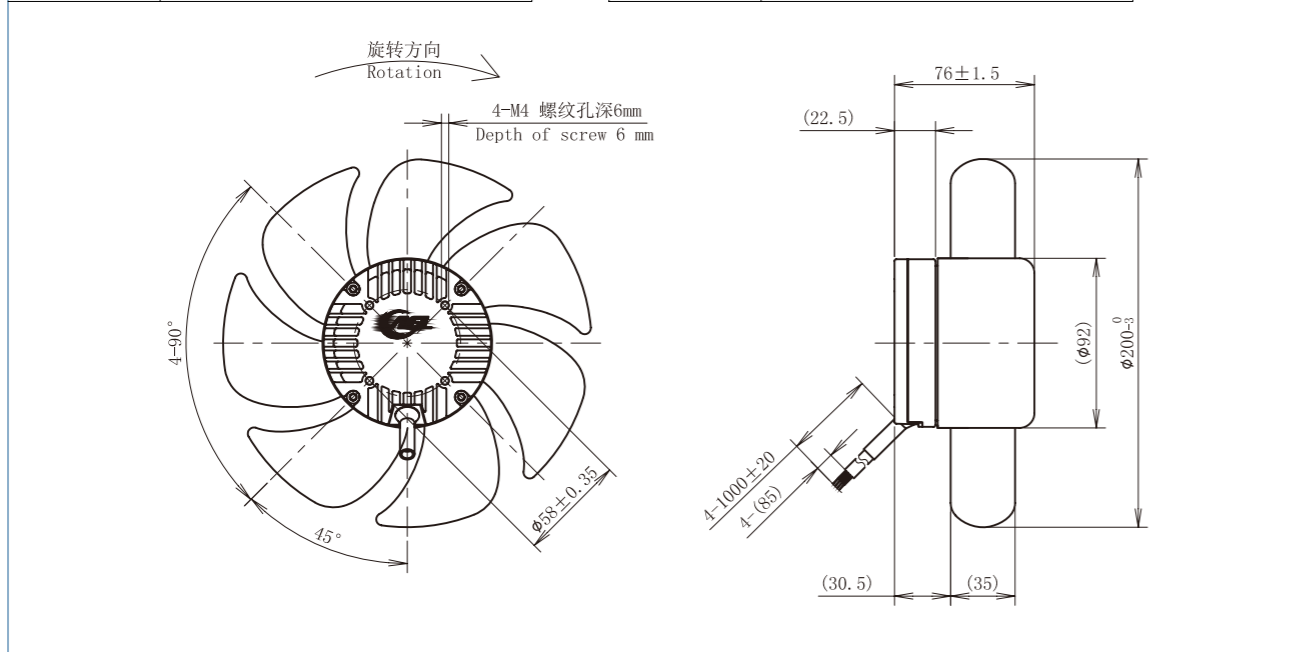


| 信号名 SIGNAL | 颜色 COLOR | 规格 SPEC |
|---------------|-------------|-------------|
| Vs | 红 RED | DC48V |
| Vsp | 黄 YELLOW | 0-10VDC/PWM |
| GND | 蓝 BLUE | GND |
| TACH | 白 WHITE | 3 Pulse/R |

外形尺寸 Dimensions

无网罩 Without grill

| | | | |
|------------------------------------|--|------------------------------------|--|
| 额定电压 Nominal voltage VDC 48V | A3P200-DC092-018 吸风 Suction A3P200-DC092-019 吹风 Blowing | 额定电压 Nominal voltage VDC 24V | A3P200-DC092-020 吸风 Suction A3P200-DC092-021 吹风 Blowing |
|------------------------------------|--|------------------------------------|--|



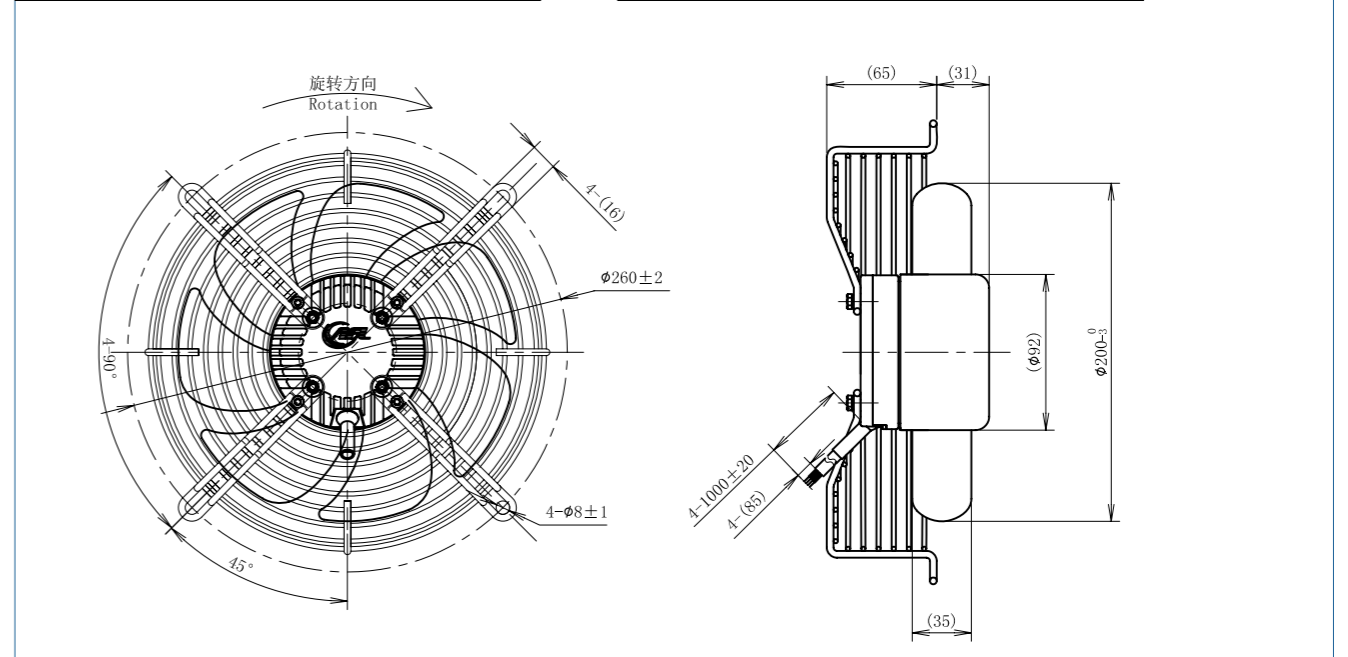
DC轴流风机 $\phi 200$

DC Axial Fans

外形尺寸 Dimensions

带墙形凹网罩 With wall concave net cover grill

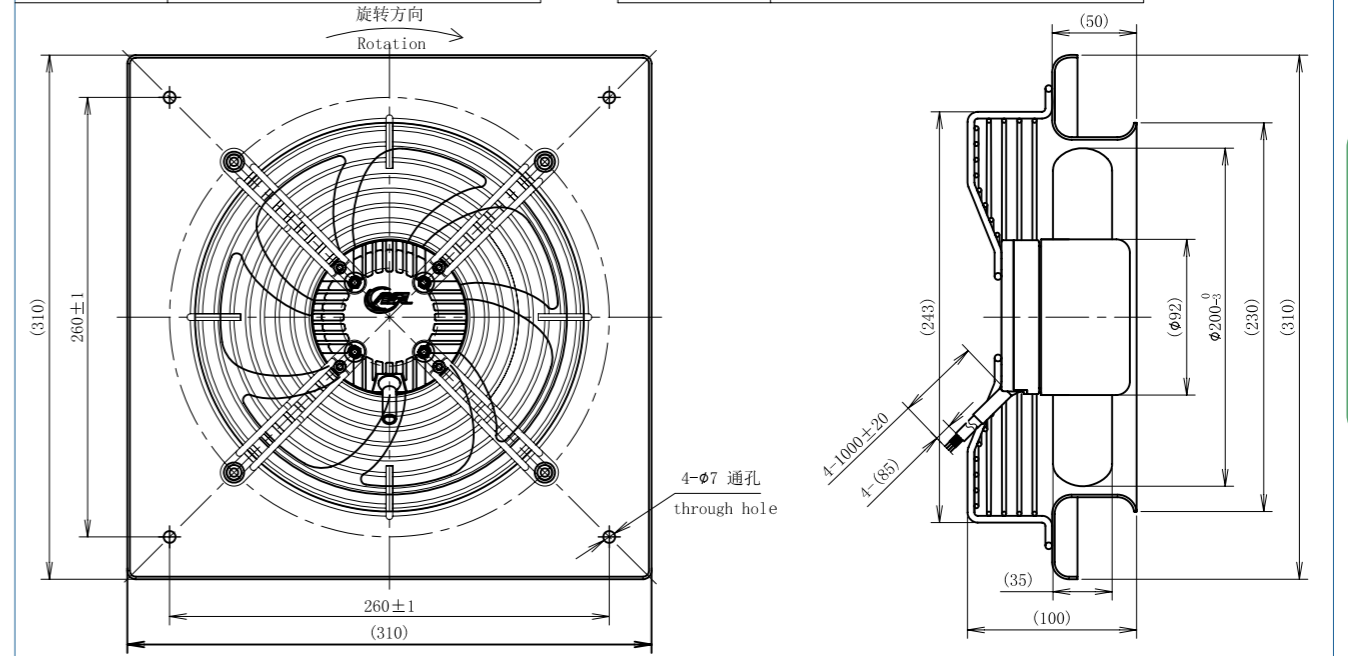
| | | | |
|------------------------------------|--|------------------------------------|--|
| 额定电压 Nominal voltage VDC 48V | A3P200-DC092-100 吸风 Suction A3P200-DC092-001 吹风 Blowing | 额定电压 Nominal voltage VDC 24V | A3P200-DC092-002 吸风 Suction A3P200-DC092-003 吹风 Blowing |
|------------------------------------|--|------------------------------------|--|



外形尺寸 Dimensions

带导风面板 With wind guide panel

| | | | |
|------------------------------------|--|------------------------------------|--|
| 额定电压 Nominal voltage VDC 48V | A3P200-DC092-004 吸风 Suction A3P200-DC092-005 吹风 Blowing | 额定电压 Nominal voltage VDC 24V | A3P200-DC092-006 吸风 Suction A3P200-DC092-007 吹风 Blowing |
|------------------------------------|--|------------------------------------|--|





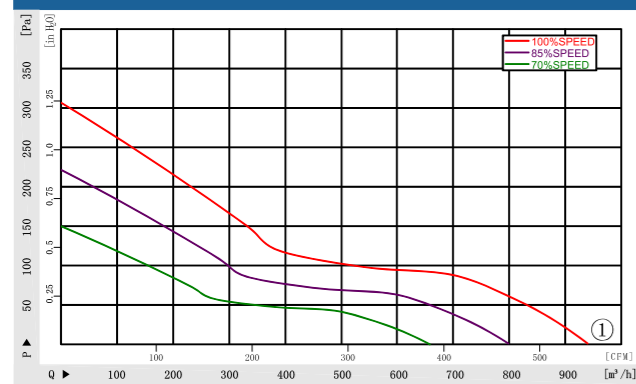
DC轴流风机 $\phi 200$ DC Axial Fans

| | |
|-------------|--------------------------|
| 材 质: 薄钢板 | Material: Sheet steel |
| 防护等级: IP42 | Type of protection: IP42 |
| 认 证: CCC CE | Approvals: CCC CE |
| 绝缘等级: B级 | Insulation class: B |

技术参数 Specifications

| 型号 Type | 曲线 Curve | 额定电压 Nominal voltage | 转速 Speed | 输入功率 Power input | 电流 Current draw | 噪音 Sound pressure level | 使用温度 Perm. amb. temp. |
|------------------|-------------|-------------------------|-------------|---------------------|--------------------|----------------------------|--------------------------|
| | | [VDC] | [rpm] | [W] | [A] | [dB] | [°C] |
| A3P200-DC092-*** | ① | 24 | 3000 | 55 | 2.4 | 60 | -25~+60 |
| | | 48 | 3000 | 55 | 1.2 | 60 | -25~+60 |

曲线 Curves

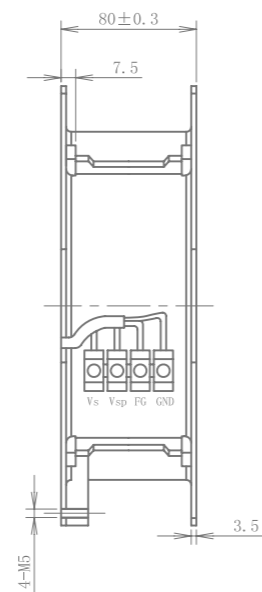
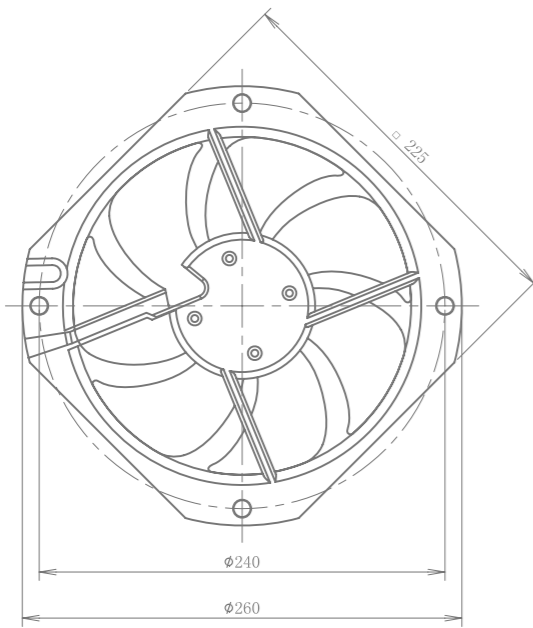


| 信号名 SIGNAL | 颜色 COLOR | 规格 SPEC |
|---------------|-------------|-------------|
| Vs | 红 RED | DC48V |
| Vsp | 黄 YELLOW | 0-10VDC/PWM |
| GND | 蓝 BLUE | GND |
| TACH | 白 WHITE | 3 Pulse/R |

外形尺寸 Dimensions

无网罩 Without grill

| | | | |
|------------------------------------|--|------------------------------------|--|
| 额定电压 Nominal voltage VDC 48V | A3P200-DC092-008 吸风 Suction A3P200-DC092-009 吹风 Blowing | 额定电压 Nominal voltage VDC 24V | A3P200-DC092-010 吸风 Suction A3P200-DC092-011 吹风 Blowing |
|------------------------------------|--|------------------------------------|--|



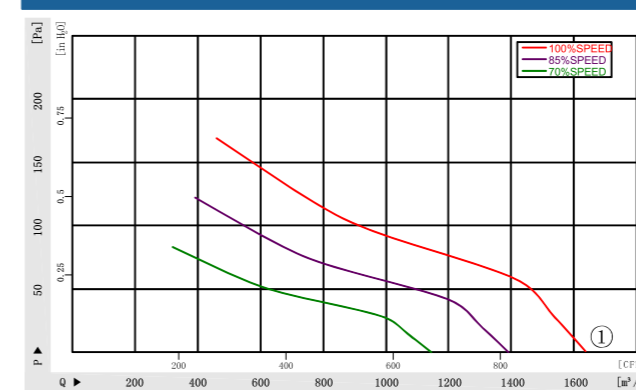
DC轴流风机 $\phi 250$ DC Axial Fans

| | |
|-------------|--------------------------|
| 材 质: 薄钢板 | Material: Sheet steel |
| 防护等级: IP42 | Type of protection: IP42 |
| 认 证: CCC CE | Approvals: CCC CE |
| 绝缘等级: B级 | Insulation class: B |

技术参数 Specifications

| 型号 Type | 曲线 Curve | 额定电压 Nominal voltage | 转速 Speed | 输入功率 Power input | 电流 Current draw | 噪音 Sound pressure level | 使用温度 Perm. amb. temp. |
|------------------|-------------|-------------------------|-------------|---------------------|--------------------|----------------------------|--------------------------|
| | | [VDC] | [rpm] | [W] | [A] | [dB] | [°C] |
| A3P250-DC092-*** | ① | 24 | 2750 | 105 | 4.4 | 70 | -25~+60 |
| | | 48 | 2750 | 105 | 2.2 | 70 | -25~+60 |

曲线 Curves

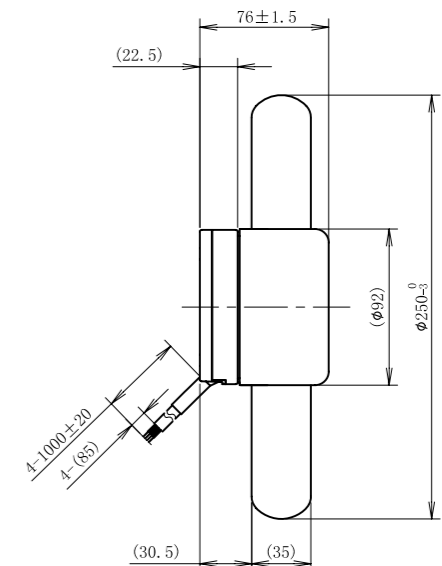
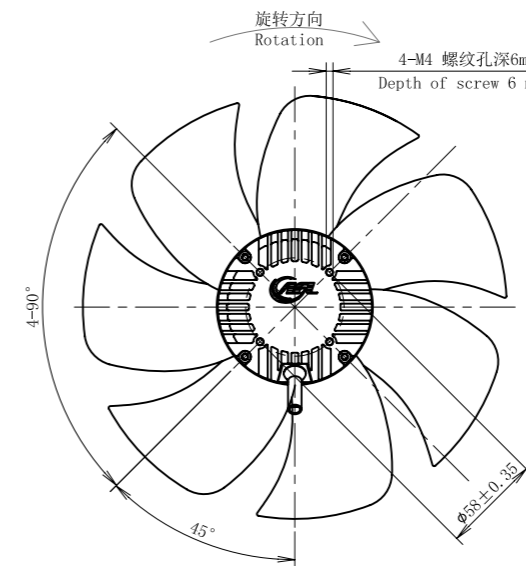


| 信号名 SIGNAL | 颜色 COLOR | 规格 SPEC |
|---------------|-------------|-------------|
| Vs | 红 RED | DC48V |
| Vsp | 黄 YELLOW | 0-10VDC/PWM |
| GND | 蓝 BLUE | GND |
| TACH | 白 WHITE | 3 Pulse/R |

外形尺寸 Dimensions

无网罩 Without grill

| | | | |
|------------------------------------|--|------------------------------------|--|
| 额定电压 Nominal voltage VDC 48V | A3P250-DC092-018 吸风 Suction A3P250-DC092-019 吹风 Blowing | 额定电压 Nominal voltage VDC 24V | A3P250-DC092-020 吸风 Suction A3P250-DC092-021 吹风 Blowing |
|------------------------------------|--|------------------------------------|--|



DC轴流风机 $\phi 250$ DC Axial Fans

外形尺寸 Dimensions 带墙形凹网罩 With wall concave net cover grill

| | | | |
|------------------------------------|--|------------------------------------|--|
| 额定电压 Nominal voltage VDC 48V | A3P250-DC092-100 吸风 Suction A3P250-DC092-001 吹风 Blowing | 额定电压 Nominal voltage VDC 24V | A3P250-DC092-002 吸风 Suction A3P250-DC092-003 吹风 Blowing |
|------------------------------------|--|------------------------------------|--|



DC轴流风机 $\phi 250$ DC Axial Fans

| | |
|-------------|--------------------------|
| 材 质: 薄钢板 | Material: Sheet steel |
| 防护等级: IP42 | Type of protection: IP42 |
| 认 证: CCC CE | Approvals: CCC CE |
| 绝缘等级: B级 | Insulation class: B |

技术参数 Specifications

| 型号 Type | 曲线 Curve | 额定电压 Nominal voltage [VDC] | 转速 Speed [rpm] | 输入功率 Power input [W] | 电流 Current draw [A] | 噪音 Sound pressure level [dB] | 使用温度 Perm. amb. temp. [°C] |
|------------------|-------------|----------------------------------|----------------------|----------------------------|---------------------------|------------------------------------|----------------------------------|
| A3P250-DC092-*** | ① | 24 | 2750 | 105 | 4.4 | 70 | -25~+60 |
| | | 48 | 2750 | 105 | 2.2 | 70 | -25~+60 |

曲线 Curves

| 信号名 SIGNAL | 颜色 COLOR | 规格 SPEC |
|---------------|-------------|-------------|
| Vs | 红 RED | DC48V |
| Vsp | 黄 YELLOW | 0-10VDC/PWM |
| GND | 蓝 BLUE | GND |
| TACH | 白 WHITE | 3 Pulse/R |

外形尺寸 Dimensions 带导风面板 With wind guide panel

| | | | |
|------------------------------------|--|------------------------------------|--|
| 额定电压 Nominal voltage VDC 48V | A3P250-DC092-004 吸风 Suction A3P250-DC092-005 吹风 Blowing | 额定电压 Nominal voltage VDC 24V | A3P250-DC092-006 吸风 Suction A3P250-DC092-007 吹风 Blowing |
|------------------------------------|--|------------------------------------|--|

外形尺寸 Dimensions 无网罩 Without grill

| | | | |
|------------------------------------|--|------------------------------------|--|
| 额定电压 Nominal voltage VDC 48V | A3P250-DC092-008 吸风 Suction A3P250-DC092-009 吹风 Blowing | 额定电压 Nominal voltage VDC 24V | A3P250-DC092-010 吸风 Suction A3P250-DC092-011 吹风 Blowing |
|------------------------------------|--|------------------------------------|--|



DC轴流风机 $\phi 300$

DC Axial Fans

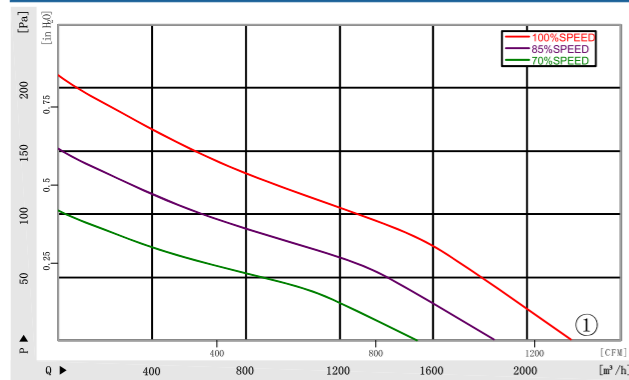
材 质: PA66
防护等级: IP42
认 证: CCC CE
绝缘等级: B级

Material: PA66
Type of protection: IP42
Approvals: CCC CE
Insulation class: B

技术参数 Specifications

| 型号 Type | 曲线 Curve | 额定电压 Nominal voltage | 转速 Speed | 输入功率 Power input | 电流 Current draw | 噪音 Sound pressure level | 使用温度 Perm. amb. temp. |
|------------------|-------------|-------------------------|-------------|---------------------|--------------------|----------------------------|--------------------------|
| | | [VDC] | [rpm] | [W] | [A] | [dB] | [°C] |
| A3P300-DC092-*** | ① | 24 | 1770 | 95 | 3.96 | 64 | -25~+60 |
| | | 48 | 1770 | 95 | 1.98 | 64 | -25~+60 |

曲线 Curves

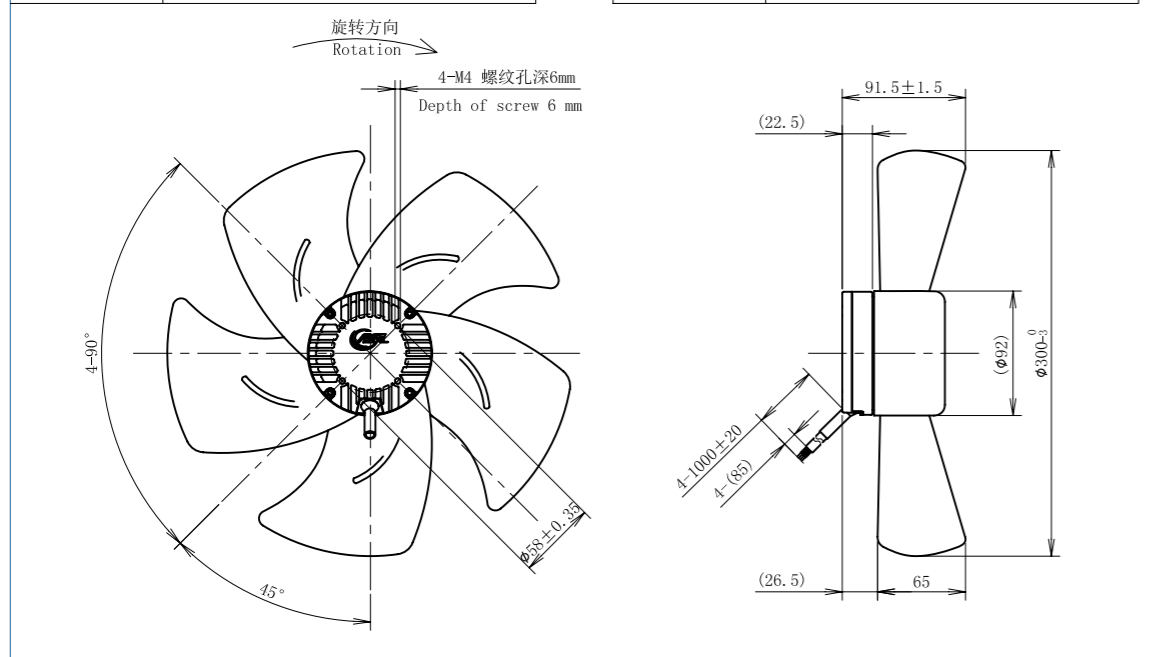


| 信号名 SIGNAL | 颜色 COLOR | 规格 SPEC |
|---------------|-------------|-------------|
| Vs | 红 RED | DC48V |
| Vsp | 黄 YELLOW | 0-10VDC/PWM |
| GND | 蓝 BLUE | GND |
| TACH | 白 WHITE | 3 Pulse/R |

外形尺寸 Dimensions

无网罩 Without grill

| 额定电压 Nominal voltage | A3P300-DC092-012 吸风 Suction A3P300-DC092-013 吹风 Blowing | 额定电压 Nominal voltage | A3P300-DC092-014 吸风 Suction A3P300-DC092-015 吹风 Blowing |
|-------------------------|--|-------------------------|--|
| VDC 48V | | VDC 24V | |



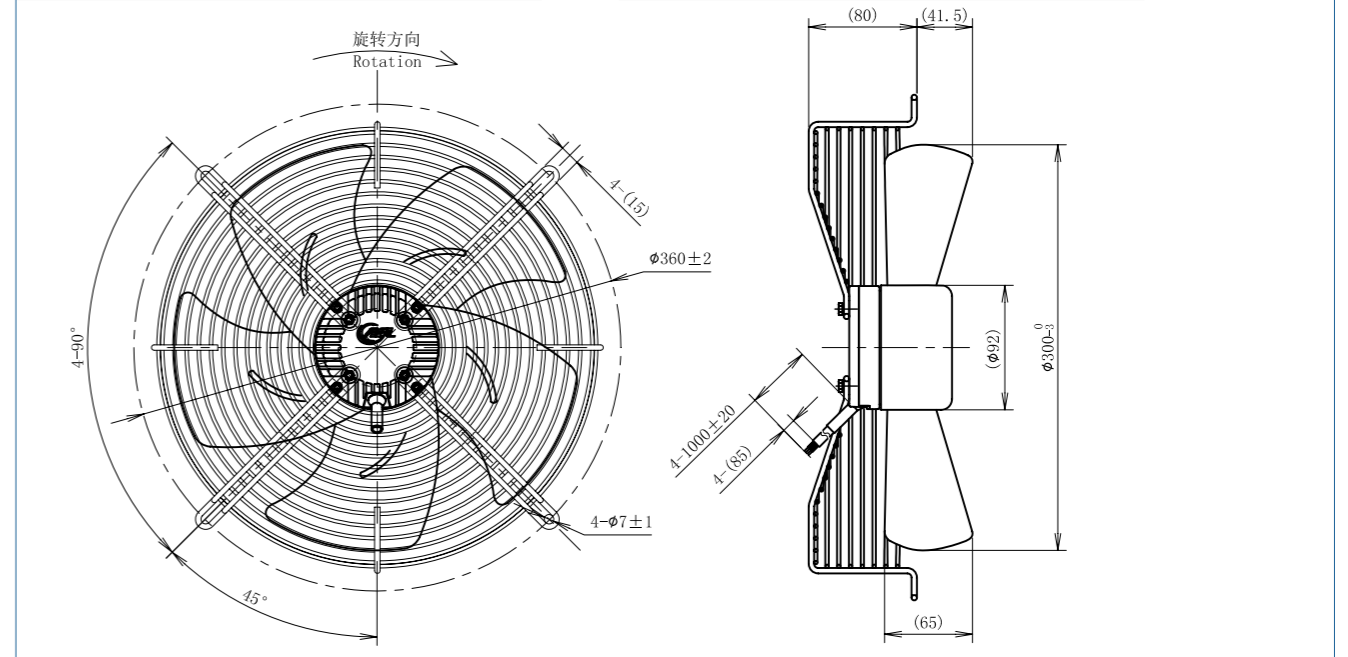
DC轴流风机 $\phi 300$

DC Axial Fans

外形尺寸 Dimensions

带墙形凹网罩 With wall concave net cover grill

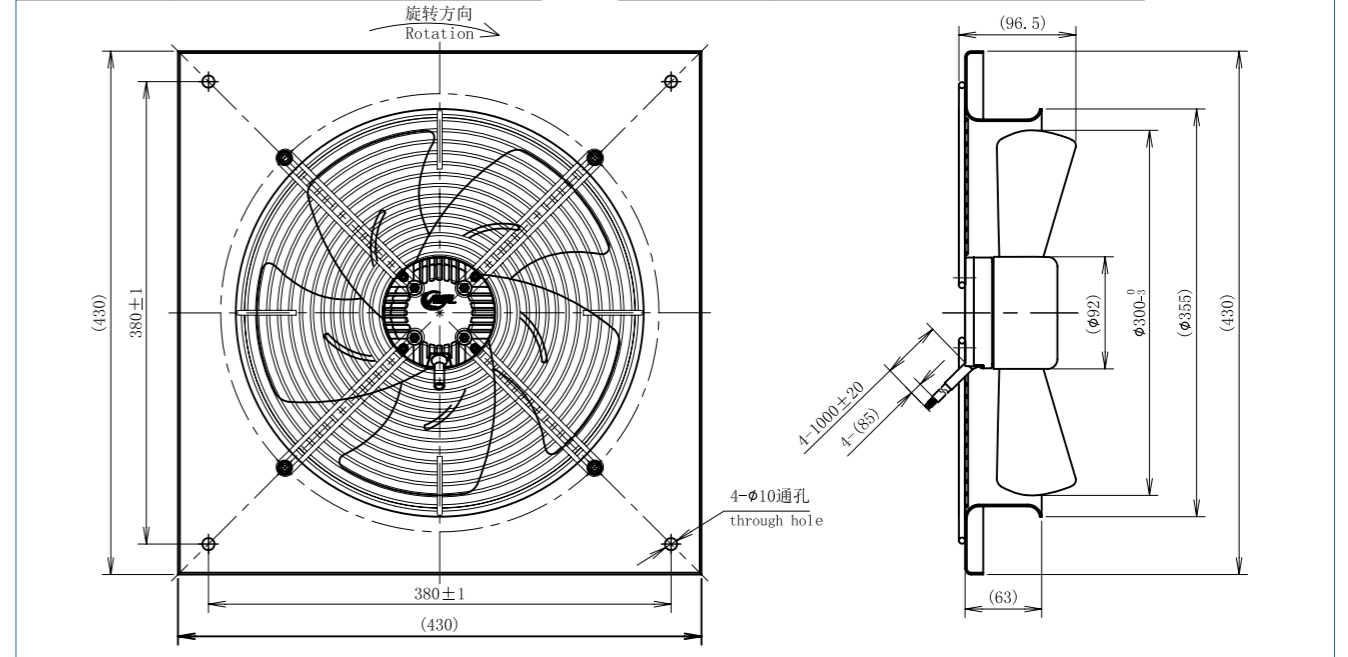
| 额定电压 Nominal voltage | A3P300-DC092-100 吸风 Suction A3P300-DC092-001 吹风 Blowing | 额定电压 Nominal voltage | A3P300-DC092-002 吸风 Suction A3P300-DC092-003 吹风 Blowing |
|-------------------------|--|-------------------------|--|
| VDC 48V | | VDC 24V | |



外形尺寸 Dimensions

带导风面板 With wind guide panel

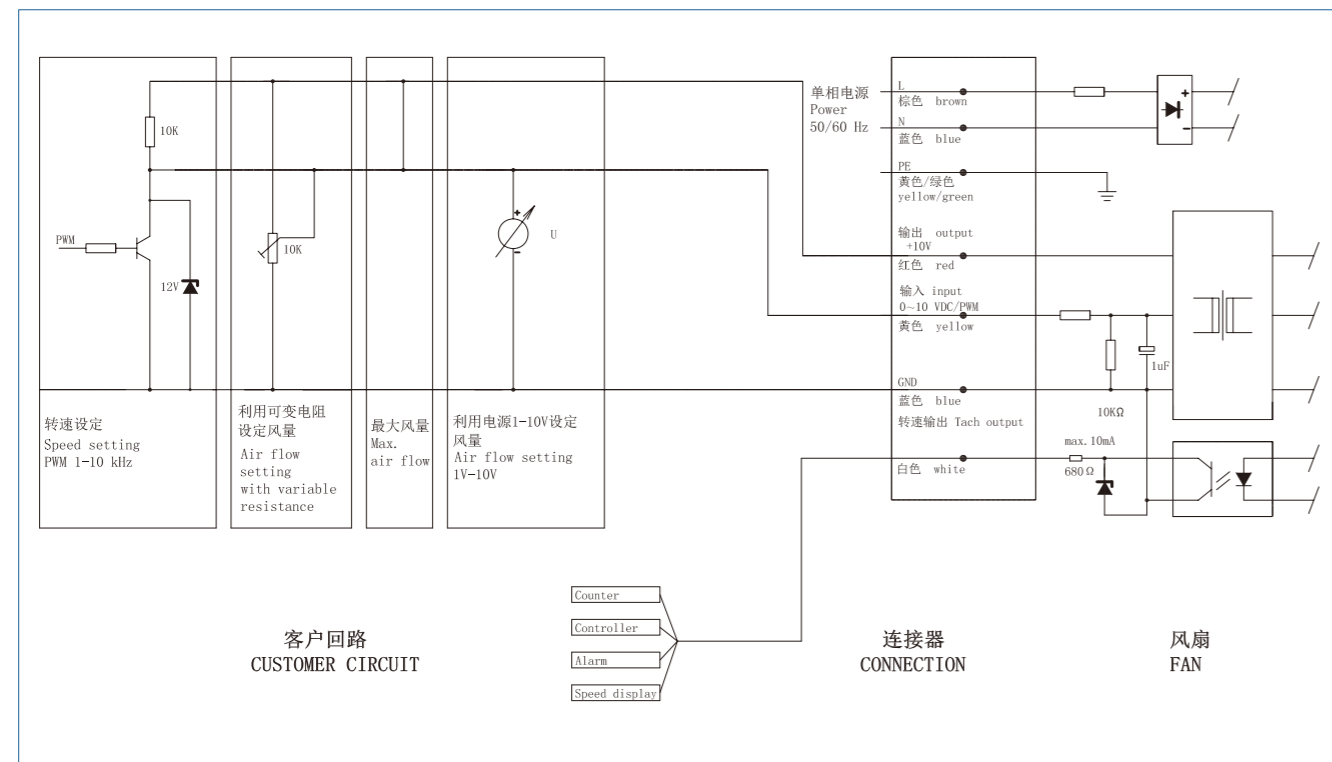
| 额定电压 Nominal voltage | A3P300-DC092-004 吸风 Suction A3P300-DC092-005 吹风 Blowing | 额定电压 Nominal voltage | A3P300-DC092-006 吸风 Suction A3P300-DC092-007 吹风 Blowing |
|-------------------------|--|-------------------------|--|
| VDC 48V | | VDC 24V | |



EC单相风机接线图

Electrical Connections For EC Single Phase Fans

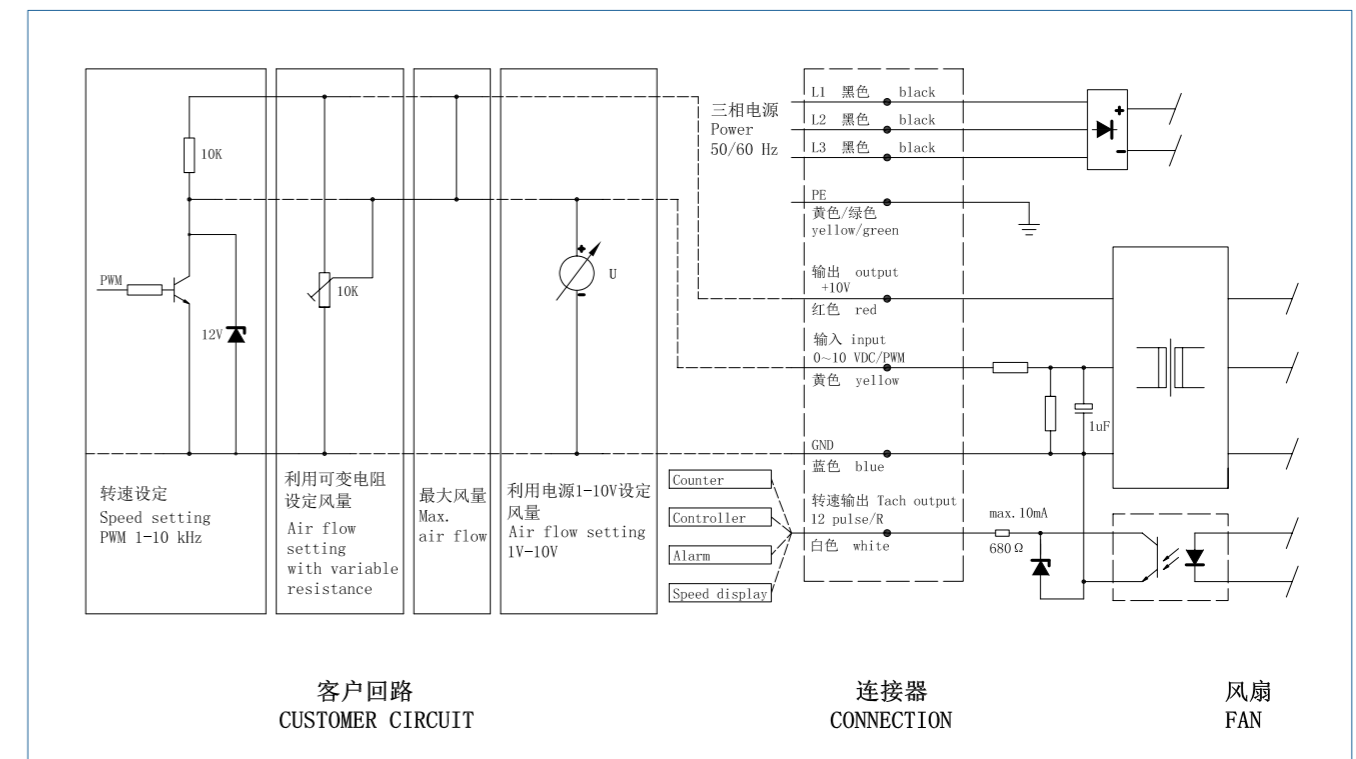
| 引线1 Line1 | | | | 引线2 Line2 | | | |
|------------|-------------------|---------------------|---|-----------|-------------|-----------|------------|
| L | N | PE | | +10V | 0-10V PWM | GND | Tach |
| 棕 brown | 蓝 blue | 黄/绿 yellow/green | | 红 red | 黄 yellow | 蓝 blue | 白 white |
| 引线 Line | 连接器 Connection | 颜色 Colour | 功能 function | | | | |
| 1 | L | 棕色 brown | 单相电源 50/60 Hz Single-phase 50/60 Hz | | | | |
| | N | 蓝色 blue | | | | | |
| | PE | 黄/绿 yellow/green | 保护接地 Protective earth | | | | |
| 2 | +10V | 红色 red | 输出 +10V output | | | | |
| | 0-10V/PWM | 黄色 yellow | 转速控制输入 Speed Control Input | | | | |
| | GND | 蓝色 | GND | | | | |
| | Tach | 白色 white | 转速信号输出 Tach output EC072、EC092 : 1 pulse/R EC102 : 12 pulse/R | | | | |



EC三相风机接线图

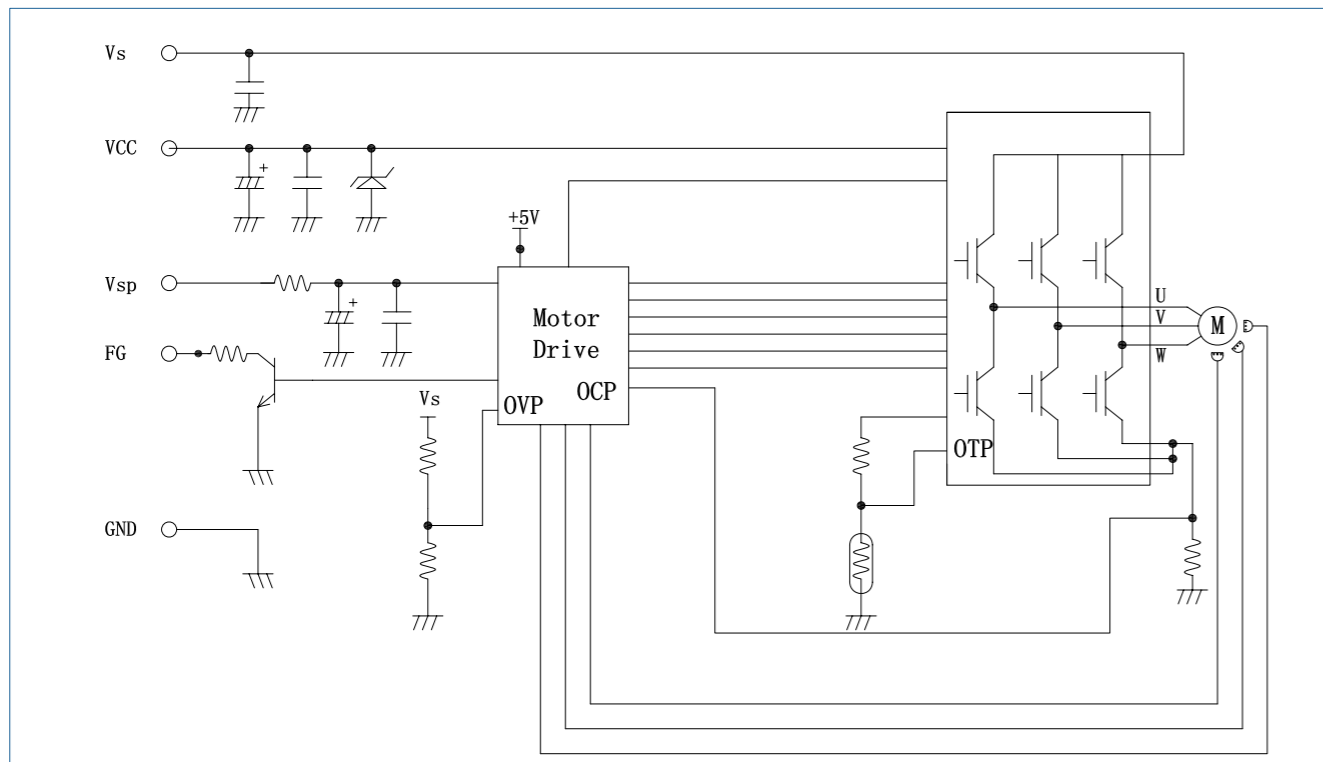
Electrical Connections For EC Three Phase Fans

| 引线1 Line1 | | | | 引线2 Line2 | | | |
|------------|-------------------|------------------|---------------------------------------|-----------|-------------|-----------|------------|
| L1 | L2 | L3 | PE | +10V | 0-10V PWM | GND | Tach |
| 黑 black | 黑 black | 黑 black | 黄/绿 yellow/green | 红 red | 黄 yellow | 蓝 blue | 白 white |
| 引线 Line | 连接器 Connection | 颜色 Colour | 功能 function | | | | |
| 1 | L1 | 黑色 black | 三相电源 Three-phase 3~AC380V 50/60 Hz | | | | |
| | L2 | 黑色 black | | | | | |
| | L3 | 黑色 black | | | | | |
| | PE | 黄/绿 yellow/green | 保护接地 Protective earth | | | | |
| 2 | +10V | 红色 red | 输出 +10V output | | | | |
| | 0-10V/PWM | 黄色 yellow | 转速控制输入 Speed Control Input | | | | |
| | GND | 蓝色 blue | GND | | | | |
| | Tach | 白色 white | 转速信号输出 Tach output 12 pulse/R | | | | |



DC风机接线图 (DC310V)
Electrical Connections For DC Fans

| 引线1 Line1 | | | | | |
|-----------|----------------|-----------|--------------------------------|-----------|--------|
| | VS | GND | Vcc | 0-10V PWM | Tach |
| | 红 red | 黑 black | 白 white | 黄 yellow | 蓝 blue |
| 引线 Line | 连接器 Connection | 颜色 Colour | 功能 function | | |
| 1 | VS | 红色 red | DC310V | | |
| | GND | 黑色 black | GND | | |
| | Vcc | 白色 white | DC15V IC工作电压 IC Supply Voltage | | |
| | Vsp | 黄色 yellow | 0-10V/PWM Speed Control Input | | |
| | TACH | 蓝色 blue | 转速信号输出 Tach output 12 pulse/R | | |



DC风机接线图 (DC24V/48V)
Electrical Connections For DC Fans

| 引线1 Line1 | | | | | |
|-----------|----------------|-----------|--|---------|--|
| | + | 0-10V PWM | GND | Tach | |
| | 红 red | 黄 yellow | 蓝 blue | 白 white | |
| 引线 Line | 连接器 Connection | 颜色 Colour | 功能 function | | |
| 1 | + | 红色 red | Maximum ripple $\pm 3.5\%$ 最大电压波动 $\pm 3.5\%$ | | |
| | GND | 蓝色 blue | GND | | |
| | 0-10V/PWM | 黄色 yellow | 转速控制输入 Speed Control Input | | |
| | Tach | 白色 white | 转速信号输出 Tach output 3 pulse/R | | |

